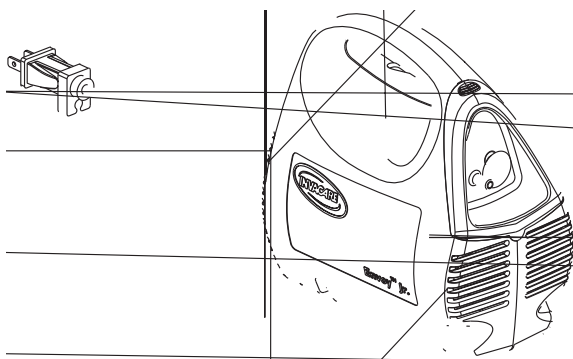


**OWNER'S MANUAL**  
**GUIDE DE L'UTILISATEUR**  
**MANUAL DE INSTRUCCIONES**

# Envoy™ Jr.



**AEROSOL COMPRESSOR**  
**MODEL IRC1001**

**COMPRESSEUR AÉROSOL**  
**MODÈLE IRC1001**

**COMPRESOR PARA AEROSOL**  
**MODELO IRC1001**

## **SPECIAL NOTES**

**DANGER/WARNING/CAUTION** notices as used in this manual apply to hazards or unsafe practices which could result in personal injury or property damage.

### **NOTICE**

**THE INFORMATION CONTAINED IN THIS DOCUMENT IS SUBJECT TO CHANGE WITHOUT NOTICE.**

**THIS AEROSOL COMPRESSOR IS INTENDED FOR HOUSEHOLD USE.**

### **WARNING**

**DO NOT INSTALL, MAINTAIN OR OPERATE THIS EQUIPMENT WITHOUT FIRST READING AND UNDERSTANDING THIS MANUAL. IF YOU ARE UNABLE TO UNDERSTAND THE DANGERS/WARNINGS/ CAUTIONS AND INSTRUCTIONS, CONTACT YOUR HOME HEALTHCARE DEALER BEFORE ATTEMPTING TO USE THIS EQUIPMENT - OTHERWISE INJURY OR DAMAGE MAY RESULT.**

---

**SAVE THESE INSTRUCTIONS**

# TABLE OF CONTENTS

<b>SPECIAL NOTES</b> .....	2
<b>IMPORTANT SAFEGUARDS</b> .....	4
<b>SPECIFICATIONS AND SUPPLEMENTAL INFORMATION</b> .....	6
<b>FEATURES</b> .....	8
<b>HANDLING PROCEDURES</b> .....	9
Shipping and Transportation Instructions .....	9
Unpacking .....	9
Inspection .....	9
Storage .....	9
<b>OPERATION</b> .....	9
<b>MAINTENANCE</b> .....	12
Cleaning the Outer Case .....	12
Cleaning the Nebulizer .....	12
Cleaning or Replacing the Foam Intake Filter .....	13
<b>ACCESSORIES AND LIMITED WARRANTY</b> .....	13
<b>GUIDE DE L'UTILISATEUR</b> .....	16
<b>MANUAL DE INSTRUCCIONES</b> .....	30

# **IMPORTANT SAFEGUARDS**

## **READ ALL INSTRUCTIONS BEFORE USING**

“Caution: Federal law restricts this device to sale by or on order of a physician, or any other practitioner licensed by the law of the State in which he practices to use or order the use of this device.”

When using electrical products, especially when children are present, basic safety precautions should always be followed, including the following:

## **DANGER**

### **TO REDUCE THE RISK OF ELECTROCUTION**

**ALWAYS** unplug this product **IMMEDIATELY** after using.

**DO NOT** use while bathing.

**DO NOT** place or store product where it can fall or be pulled into a tub or sink.

**DO NOT** reach for product that has fallen into water. **UNPLUG IMMEDIATELY.**

**DO NOT** place or drop into water or other liquid.

## **WARNING**

### **TO REDUCE THE RISK OF BURNS, ELECTROCUTION, FIRE OR INJURY TO PERSONS**

This product should **NEVER** be left unattended when plugged in.

Close supervision is necessary when this product is used by, on, or near **CHILDREN AND PHYSICALLY CHALLENGED INDIVIDUALS.**

Use this product only for its intended use as described in this manual. Use this product only under physician's direction. **DO NOT** use attachments not recommended by the manufacturer.

---

### **WARNING**

**NEVER** operate this product with a damaged cord or plug, if it is not working properly, if it has been dropped or damaged, or dropped into water; call **Qualified Service Personnel** for examination and repair. Keep the cord away from **HEATED** or **HOT** surfaces.

**NEVER** drop or insert any object into any opening.

**NEVER** use while sleeping or drowsy.

**NEVER** block the air openings of the product or place it on a soft surface, such as a bed or couch, where the air openings may be blocked. Keep the air openings free from lint, hair and the like. Blocked openings may cause the unit to shut down. Contact dealer immediately.

**DO NOT** use outdoors or operate where aerosol (spray) products are being used or where oxygen is being administered in a closed environment such as an oxygen tent.

This unit is oil-less. **DO NOT** lubricate.

### **CAUTION**

**Risk of electric shock. Do not disassemble. Refer servicing to qualified service personnel.**

---

# **SPECIFICATIONS AND SUPPLEMENTAL INFORMATION**

## **STANDARD SPECIFICATIONS**

<b>Electrical Requirements:</b>	115 VAC, 60Hz, Single Phase
<b>Running Current:</b>	1.8 A @ 10 psig @ 115 volts (approx.)
<b>Sound Level:</b>	55 dBA
<b>Ambient Temperature Range:</b>	50°F - 104°F (10°C - 40°C)
<b>Power Wattage:</b>	80 watts @ 10 psig
<b>Thermal Protector:</b>	UL 547 Class B
<b>Foam Intake Filter:</b>	Open cell 100 ppi, polyurethane foam.
<b>Safety Systems:</b>	High temperature compressor shutdown.
<b>Width:</b>	4.1-inches
<b>Height:</b>	7.0-inches
<b>Depth:</b>	7.0-inches
<b>Weight:</b>	3.5 lbs.
<b>Shipping Weight:</b>	4.5 lbs.
<b>Regulatory Listing:</b>	In compliance with UL 1431 Personal Hygiene and Healthcare Appliances and CSA 22.2 No. 68-92 Motor Operated Appliances.

## **ELECTRICAL**

This appliance has a polarized plug (one blade is wider than the other). As a safety feature, this plug will fit in a polarized outlet only one way. If the plug does not fit fully in the outlet, reverse the plug. If it still does not fit, contact a qualified electrician. Do not attempt to defeat this safety feature.

### **Compressor:**

If the unit shuts down frequently, you may have a low voltage situation. Low voltage can also be suspected when:

1. The motor does not get up to full power or speed.
2. Home fuses or circuit breakers activate when starting compressor.
3. Lights dim or remain dim when compressor is started.
4. Other motor operated appliances fail to operate properly or too many motor operated appliances are on same circuit.

The motor of this compressor has a thermal overload protector. If the motor should overheat, the overload protector will shut off the motor. If the unit shuts down and cannot be restarted, the motor must be replaced. Call your dealer immediately.

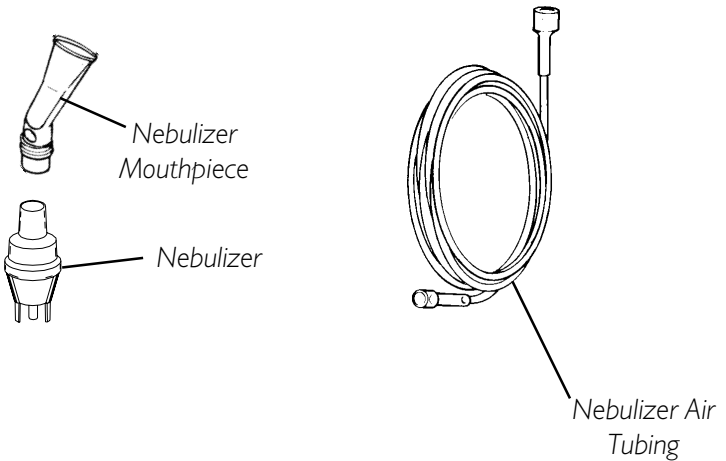
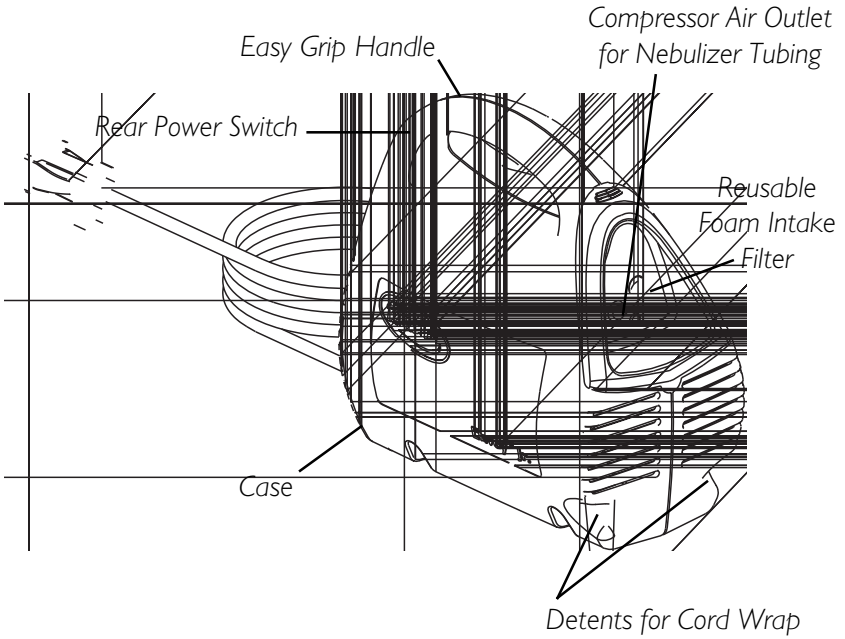
### **Extension Cords:**

Make certain extension cord is in good condition. Make certain extension cord wire is NOT LESS than 18 gauge for 25 feet, 16 gauge for 50 feet and 14 gauge for 100 feet.

## **MAINTENANCE**

Only authorized or factory-trained personnel should perform preventative maintenance.

**FEATURES**



**FIGURE I - FEATURES**



# HANDLING PROCEDURES

## SHIPPING AND TRANSPORTATION INSTRUCTIONS

The shipping container has been designed to assure protection of this device.

If this device is to be reshipped by common carrier, it should be packed in the same carton. Extra cartons are available from Invacare.

## UNPACKING

1. Check for any obvious damage to the carton or its contents. If damage is evident, do NOT use. Notify Carrier/Invacare or your local Invacare Dealer.
2. Remove all the loose packing from the carton.
3. Carefully remove all the components from the carton.

*NOTE: Retain carton and packing materials for use in shipping or storing the unit until use is required.*

## INSPECTION

1. Examine exterior for nicks, dents, scratches or other damage. Inspect all components.

## STORAGE

1. Store the repackaged device in a dry area.
2. DO NOT place other objects on top of the repackaged device.

# OPERATION

Your disposable nebulizer package includes a nebulizer mouthpiece, nebulizer, and air tubing. These items are sold as a package only.

*NOTE: Before initial operation, nebulizer should be cleaned. Follow the recommended Cleaning Instructions in this Owner's Manual.*

## OPERATION

---

### WARNING

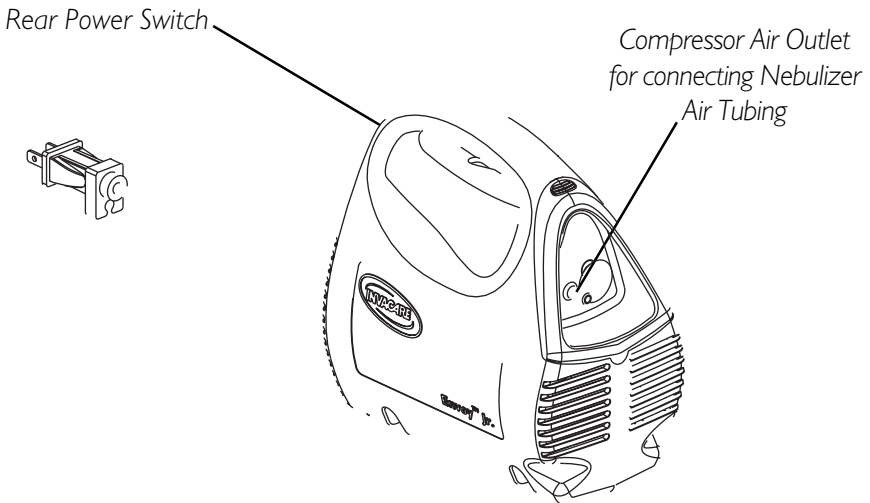
**DO NOT** run unit without filter.

**Avoid** operating this product in a dusty environment which could cause premature compressor wear.

---

### SETUP

1. Place the device on a table so that the controls can be reached when seated.
2. Secure one end of the nebulizer tubing to the compressor air outlet (**FIGURE I**).
3. Connect the other end to the nebulizer.



**FIGURE I - LOCATION OF COMPRESSOR AIR OUTLET**

### WARNING

**In the case of high humidity, condensation may form inside the internal tubing. Run the unit for two (2) minutes before connecting the nebulizer to the tubing.**

---

4. Add liquid medication to the nebulizer according to your physician's prescription (**FIGURE 2**).



**FIGURE 2 - ADDING  
LIQUID MEDICATION  
TO THE NEBULIZER**



**FIGURE 3 - USING  
THE NEBULIZER**

### **WARNING**

**Before plugging in the line cord, make sure that the power switch is in the OFF (O) position.**

5. Unwrap the line cord.
6. Plug into a 115V/60Hz wall outlet.
7. Insert the nebulizer mouthpiece into the top of the nebulizer.

*NOTE: Before attempting to start a cold unit, let the unit reach room temperature in a heated area.*

8. Press the power switch ON ( I ) to start the compressor.
9. Place mouthpiece between your teeth and close your mouth (**FIGURE 3**).
10. As aerosol begins to flow, inhale deeply, slowly, and hold breath for 10 seconds. Then exhale slowly through the mouthpiece.

*NOTE: Before storing supplies between treatments, clean and dry nebulizer. (Refer to Maintenance Section in this manual). Tighten caps on medication jars.*

*NOTE: In the event a substantial increase in back pressure is achieved, i.e. kinked tubing, an audible "pop" or air leak may be heard. A relief valve has been included to reduce possible damage to the compressor; which closes once the back pressure has decreased.*

# MAINTENANCE

### WARNING

Electrical shock hazard. **DO NOT** remove outer case of this unit. All disassembly and maintenance of this unit **MUST BE** done by a qualified Invacare Dealer.

---

## CLEANING THE OUTER CASE

### WARNING

**UNPLUG** unit before cleaning. **DO NOT** submerge in water to clean. Clean outer case with damp cloth.

---

## CLEANING THE NEBULIZER

*NOTE: With proper maintenance your nebulizer should last 30 days. Since the nebulizer is disposable, it is recommended that an extra nebulizer be kept at all times.*

*NOTE: Clean the Nebulizer after every use and at least once a day.*

*NOTE: Your physician and/or a Invacare Dealer may specify certain cleaning procedures. If so, follow their recommendations. If not, clean according to the following instructions:*

1. Remove the nebulizer and mouthpiece from the tubing.
2. Disassemble nebulizer chamber by turning counterclockwise and separating.
3. **Fill two (2) plastic containers or bowls:**
  - A. **Washing:** Hot water/detergent solution.
  - B. **Soaking:** Hot water/vinegar solution (one [1] part vinegar to three [3] parts water).
4. Thoroughly clean the nebulizer and mouthpiece in hot water/detergent solution.
5. Remove from the water/detergent solution and rinse with clear hot tap water.
6. Soak in hot water/vinegar solution for 30 minutes.
7. Rinse with hot tap water again and air dry thoroughly.

## MAINTENANCE/ACCESSORIES

---

*NOTE: If using medical disinfectant cleaners, follow manufacturer's instructions carefully.*

8. Keep the outer surface of the tubing dust-free by wiping regularly.

*NOTE: The nebulizer air tubing does not have to be washed internally because only filtered air passes through the tubing.*

### **CLEANING OR REPLACING THE FOAM INTAKE FILTER**

*NOTE: Clean the filter once a month or sooner if filter discolors.*

1. Unplug unit.
2. Remove filter cover to gain access to filter.
3. Remove filter and clean with soap and water. Let dry thoroughly before use.
4. Replace filter if it becomes clogged, torn or has a worn appearance.

*NOTE: Regular filter cleaning/replacing is necessary to help ensure proper compressor performance.*

### **WARNING**

**DO NOT run unit without filter.**

---

## **ACCESSORIES**

*NOTE: The nebulizer and accessories are not manufactured by Invacare. Invacare has maintained the integrity of the nebulizer manufacturer's original sealed packaging and labeling.*

Intake Filter / Filter Cover

Owner's Manual

MS2100 Disposable Nebulizer (5 ml Capacity), w/Mouthpiece, T-Piece, and 7 ft. tubing.

MS2200 Disposable Sidestream® Nebulizer (10 ml Capacity), w/Mouthpiece and 7 ft. Tubing.

MS2400 Durable Sidestream® Nebulizer (10 ml Capacity), w/Mouthpiece and 7 ft. Tubing. One (1) Year Limited Warranty.

IRC1198 TruZone® PFM Peak Flow Meter

*NOTE: See Invacare Dealer for additional Nebulizers.*

# WARRANTY

---

## LIMITED WARRANTY

**PLEASE NOTE: THE WARRANTY BELOW HAS BEEN DRAFTED TO COMPLY WITH FEDERAL LAW APPLICABLE TO PRODUCTS MANUFACTURED AFTER JULY 4, 1975.**

This warranty is extended only to the original purchaser of our products.

This warranty gives you specific legal rights and you may also have other legal rights which vary from state to state.

Invacare warrants the compressor of the Invacare Aerosol Compressor to be free from defects in materials and workmanship for a period of three (3) years from date of purchase. The nebulizer chamber, nebulizer air tubing, and any other accessories are excluded in this warranty. If within such warranty period any such product shall be proven to Invacare's satisfaction to be defective, such product shall be repaired or replaced, at Invacare's option. This warranty does not include normal wear and tear or shipping charges incurred in replacement part installation or repair of such product. Invacare's sole obligation and your exclusive remedy under this warranty shall be limited to such repair or replacement.

For warranty service, please contact Invacare's Service Department during normal working hours at the Toll Free Number listed.

Upon receiving notice of an alleged defect in a product, Invacare will issue a serialized return authorization. It shall then be the responsibility of the purchaser to return, at purchaser's cost, to either Invacare's plant or service center as specified by Invacare in advance. Defective component part(s) must be returned for warranty inspection using the serial number as identification within thirty (30) days of return authorization date. **DO NOT** return products to our factory without prior consent. **C.O.D** shipments will be refused - please prepay shipping charges.

**Limitations and Exclusions:** The foregoing warranty shall not apply to products subjected to negligence, accident, improper operation, maintenance or storage, commercial or institutional use, products modified without Invacare's express written consent (including, but not limited to, modification through the use of unauthorized parts or attachments) or to products damaged by reason of repairs made to any component without the specific consent of Invacare, or to a product damaged by circumstances beyond Invacare's control.

**The foregoing warranty is exclusive and In lieu of all other express warranties. Implied warranties, if any, including the implied warranties of merchantability and fitness for a particular purpose, shall not extend beyond the duration of the expressed warranty provided herein and the remedy for violations of any implied warranty shall be limited to repair or replacement of the defective product pursuant to the terms contained herein. Invacare shall not be liable for any consequential or incidental damages whatsoever.**

**Some states do not allow the exclusion or limitation of incidental or consequential damage, or limitation on how long an implied warranty lasts, so the above exclusion and limitation may not apply to you.**

**THIS WARRANTY SHALL BE EXTENDED TO COMPLY WITH STATE/PROVINCIAL LAWS AND REQUIREMENTS.**

## **Guide De L'Utilisateur**

### **NOTES IMPORTANTES**

Les notes **DANGER/AVERTISSEMENT/ATTENTION** utilisées dans ce manuel s'appliquent aux pratiques non sécuritaires pouvant causer des blessures ou des dommages à la propriété.

#### **NOTE**

**L'INFORMATION CONTENUE DANS CE DOCUMENT PEUT ÊTRE MODIFIÉE SANS PRÉAVIS.**

**CE COMPRESSEUR AÉROSOL EST PRÉVU POUR UN USAGE DOMESTIQUE.**

#### **AVERTISSEMENT**

**NE PAS** installer, entretenir ou utiliser cet équipement sans d'abord avoir lu et compris ce manuel. Si vous ne comprenez pas les notes **DANGER/AVERTISSEMENT/ATTENTION** et les **INSTRUCTIONS**, veuillez contacter votre fournisseur en soins à domicile avant d'utiliser cet équipement, sans quoi des blessures ou dommages peuvent survenir.

**CONSERVER CES INSTRUCTIONS**



# TABLE DES MATIÈRES

<b>NOTES IMPORTANTES .....</b>	<b>16</b>
<b>RÈGLES DE SÉCURITÉ .....</b>	<b>18</b>
<b>SPÉCIFICATIONS ET INFORMATIONS SUPPLÉMENTAIRES .....</b>	<b>20</b>
<b>CARACTÉRISTIQUES .....</b>	<b>22</b>
<b>PROCÉDURES DE MANIPULATION .....</b>	<b>23</b>
Instructions Pour L'Expédition et le Transport.....	23
Déballage .....	23
Inspection .....	23
Entreposage .....	23
<b>OPÉRATION .....</b>	<b>23</b>
<b>ENTRETIEN .....</b>	<b>26</b>
Nettoyer le Boîtier Extérieur .....	26
Nettoyer le Nébuliseur .....	26
Nettoyer ou Remplacer le Filtre D'Entrée en Mousse .....	27
<b>ACCESSOIRES ET GARANTIE LIMITÉE .....</b>	<b>28</b>
<b>MANUAL DE INSTRUCCIONES .....</b>	<b>30</b>

# RÈGLES DE SÉCURITÉ

## LIRE TOUTES LES INSTRUCTIONS AVANT UTILISATION

«Attention: Suivant la loi fédérale, cet appareil doit être vendu par un médecin ou sur prescription de ce dernier, ou par tout autre praticien reconnu par l'état où il pratique, utilise ou prescrit cet appareil.»

Lors de l'utilisation d'appareils électriques, surtout en présence d'enfants, toujours respecter les règles de sécurité de base, incluant les suivantes:

### **DANGER**

#### **POUR RÉDUIRE LES RISQUES D'ÉLECTROCUTION**

**TOUJOURS** débrancher l'appareil **IMMÉDIATEMENT** après usage.

**NE PAS** utiliser en se baignant.

**NE PAS** entreposer ou placer à un endroit où il pourrait tomber ou être tiré dans la baignoire ou dans le lavabo.

**NE PAS** reprendre l'appareil s'il est tombé dans l'eau.  
**DÉBRANCHER IMMÉDIATEMENT.**

**NE PAS** placer ou laisser tomber dans l'eau ou dans un autre liquide.

### **AVERTISSEMENT**

#### **POUR RÉDUIRE LES RISQUES DE BRÛLURES, D'ÉLECTROCUTION, D'INCENDIE OU BLESSURES CORPORELLES**

Ce produit ne doit **JAMAIS** être laissé sans surveillance lorsque branché.

Une supervision étroite est nécessaire lorsque le produit est utilisé par, pour ou près **D'ENFANTS ET DE PERSONNES HANDICAPÉES PHYSIQUEMENT.**

N'utiliser ce produit que pour l'usage prescrit dans ce manuel. N'utiliser ce produit que sur recommandation d'un médecin. **NE PAS** utiliser d'accessoires non recommandés par le fabricant.

### **AVERTISSEMENT**

**NE JAMAIS** utiliser cet appareil si le fil électrique ou la fiche sont endommagés, si l'unité ne fonctionne pas adéquatement, s'il est tombé sur le sol ou dans l'eau, ou s'il est endommagé; contacter un technicien de service qualifié pour vérification et réparation.

Éloigner le fil électrique de toutes surfaces **CHAUDES** ou **CHAUFFANTES**.

**NE JAMAIS** insérer ou laisser tomber d'objets dans les orifices.

**NE JAMAIS** utiliser l'appareil en dormant ou lorsque somnolant.

**NE JAMAIS** obstruer les ouvertures d'aération du produit et ne jamais le placer sur une surface moelleuse, telle qu'un lit ou un fauteuil, où les ouvertures pourraient être obstruées. Garder les ouvertures propres, libres de cheveux, mousse, etc. Des ouvertures obstruées peuvent arrêter le fonctionnement de l'appareil. Contacter le fournisseur immédiatement.

**NE PAS** se servir de l'unité à l'extérieur, dans un endroit où des produits aérosol sont utilisés ou de l'oxygène administré, ou encore dans un environnement fermé tel qu'une tente à oxygène.

Cet appareil ne contient pas d'huile. **NE PAS** lubrifier.

### **ATTENTION**

Risques de décharges électriques. **Ne pas démonter.**  
Confier l'entretien à un technicien qualifié.

---

# SPÉCIFICATIONS ET INFORMATIONS SUPPLÉMENTAIRES

### SPÉCIFICATIONS STANDARD

<b>Exigences électriques:</b>	115 V CA, 60 Hz, phase simple
<b>Courant de fonctionnement:</b>	1.8 A @ 10 lb/po <sup>2</sup> @ 115 volts (approx.)
<b>Niveau sonore:</b>	55dB
<b>Écart de température ambiante:</b>	50°F - 104°F (10° - 40°C)
<b>Wattage:</b>	80 watts @ 10 lb/po <sup>2</sup>
<b>Protecteur thermique:</b>	UL547, Classe B
<b>Filtre d'entrée mousse:</b>	Alvéoles ouvertes 100 ppi, mousse polyuréthane.
<b>Système de sécurité:</b>	Coupe circuit à haute température.
<b>Largeur:</b>	11 pouces
<b>Hauteur:</b>	4.4 pouces
<b>Profondeur:</b>	8.5 pouces
<b>Poids:</b>	5 livres
<b>Poids à l'expédition:</b>	6 livres
<b>Réglementation:</b>	Conformément aux règlements UL1431, appareils pour hygiène personnelle et soins de santé, et CSA 22.2, équipement électromédical.

### ÉLECTRICITÉ

Cet appareil a une fiche polarisée (les tiges ne sont pas de la même grosseur). À titre de mesure de sécurité, cette fiche s'insèrera dans une prise polarisée d'une seule façon. Si la fiche ne s'insère pas complètement dans la prise, inverser la prise. Si la fiche ne s'insère toujours pas, contacter un électricien qualifié. Ne pas tenter de contourner cette mesure de sécurité.

### **Compresseur:**

Si l'unité s'éteint fréquemment, il peut y avoir une situation de bas voltage. Une situation de bas voltage peut également être soupçonnée lorsque:

1. Le moteur ne fonctionne pas à sa pleine puissance ou vitesse.
2. Les fusibles ou les disjoncteurs de la maison se déclenchent lorsque le compresseur est mis en marche.
3. L'intensité des lumières faiblit ou demeure faible lorsque le compresseur est mis en marche.
4. D'autres appareils électriques fonctionnent mal ou il y a trop d'appareils électriques branchés sur le même circuit.

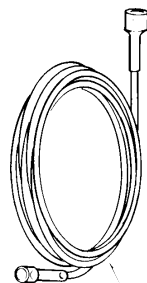
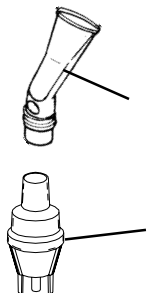
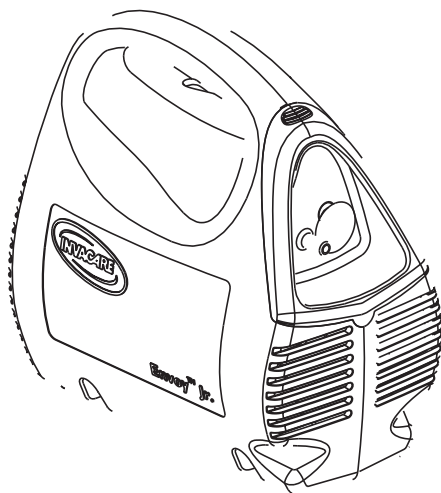
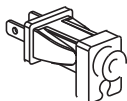
Le moteur de ce compresseur possède un protecteur de surcharge thermique. Si le moteur surchauffe, le protecteur de surcharge éteint le moteur. Si l'unité s'éteint et ne peut pas être remis en marche, le moteur doit être remplacé. Contacter votre fournisseur immédiatement.

### **Rallonges:**

S'assurer que la rallonge utilisée est en bonne condition. S'assurer que le fil de la rallonge possède un calibre d'AU MOINS 18 pour une longueur de 25 pieds, 16 pour 50 pieds et 14 pour 100 pieds.

### **ENTRETIEN**

Seule une personne autorisée ou entraînée en usine peut effectuer l'entretien préventif.



# **PROCÉDURES DE MANIPULATION**

## **INSTRUCTIONS POUR L'EXPÉDITION ET le TRANSPORT**

Le contenant d'expédition a été conçu pour assurer la protection de l'appareil.

Si l'appareil doit être réexpédié par un transporteur, il devrait être emballé dans l'emballage d'origine. Des boîtes sont disponibles chez Invacare.

### **DÉBALLAGE**

1. Vérifier si l'emballage ou le contenu est endommagé. Le cas échéant, ne pas utiliser. Aviser le transporteur / Invacare ou votre fournisseur local.
2. Retirer les emballages de la boîte.
3. Retirer toutes les composantes avec précaution.

*NOTE: Conserver la boîte et tout le matériel d'emballage pour transporter ou entreposer l'unité.*

### **INSPECTION**

1. Vérifier si l'extérieur de l'appareil présente des égratignures, des éclats ou d'autres dommages. Inspecter toutes les composantes.

### **ENTREPOSAGE**

1. Entreposer l'appareil emballé dans un endroit sec.
2. **NE PAS** placer d'objets sur le dessus de la boîte.

## **OPÉRATION**

Votre ensemble de nébuliseur jetable comprend une pièce buccale, un nébuliseur et un tube à air. Ces items sont vendus en ensemble seulement.

*NOTE: Le nébuliseur doit être nettoyé avant d'être utilisé. Suivre les instructions de nettoyage recommandées dans ce manuel de l'utilisateur.*

## OPÉRATION

---

### AVERTISSEMENT

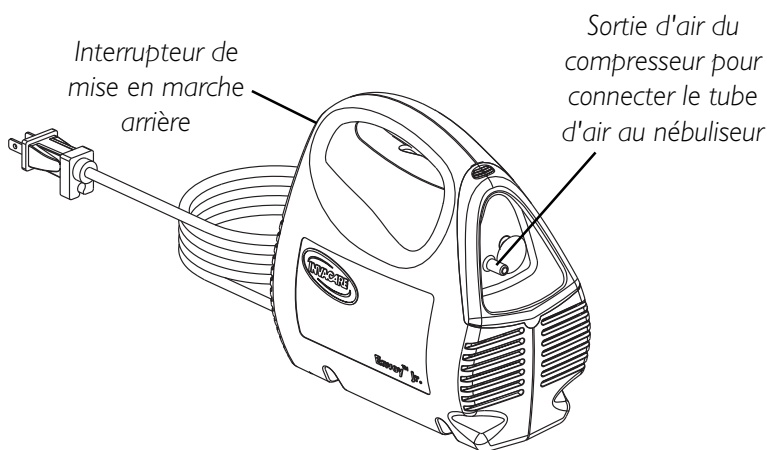
**NE PAS** utiliser l'unité sans filtre.

**Ne pas** utiliser l'appareil dans un environnement poussiéreux; ce qui pourrait causer une usure prématurée du compresseur.

---

### MISE EN FONCTION

1. Placer l'appareil sur une table de façon à pouvoir atteindre les commandes lorsque vous êtes assis.
2. Fixer un bout du tube du nébuliseur à la sortie d'air du compresseur (**FIGURE 1**).
3. Brancher l'autre bout au nébuliseur.



**FIGURE 1 - EMBLACEMENT DE LA SORTIE D'AIR DU COMPRESSEUR**

### AVERTISSEMENT

**Dans des conditions de haute humidité, de la condensation peut se former à l'intérieur du tube interne. Faire fonctionner l'unité pendant deux (2) minutes avant de brancher le nébuliseur au tube.**

---



4. Ajouter les médicaments liquides au nébuliseur selon l'ordonnance de votre médecin (**FIGURE 2**).



**FIGURE 2 - AJOUT DE MÉDICAMENTS LIQUIDES AU NÉBULISEUR**



**FIGURE 3 - UTILISATION DU NÉBULISEUR**

### AVERTISSEMENT

**Avant de brancher l'appareil, s'assurer que l'interrupteur est à la position OFF (O).**

5. Dérouler le cordon d'alimentation.
6. Brancher dans une prise murale 115V/60Hz.
7. Insérer la pièce buccale dans le haut du nébuliseur.

*NOTE: Avant de mettre en marche un appareil froid, le laisser atteindre la température ambiante dans un endroit chauffé.*

8. Mettre l'appareil en marche en plaçant l'interrupteur à la position «ON» (I).
9. Placer la pièce buccale entre vos dents et fermer la bouche (**FIGURE 3**).
10. Lorsque l'aérosol commence à circuler, inspirer profondément, lentement, et retenir votre souffle pendant 10 secondes. Expirer alors lentement dans la pièce buccale.

*NOTE: Avant de ranger les accessoires jusqu'au prochain traitement, nettoyer et assécher le nébuliseur. (Voir la section Entretien de ce manuel). Refermer les contenants de médicaments.*

*NOTE: S'il y a une augmentation substantielle de la contre-pression i.e. tube plié, vous entendrez peut-être un "pop" ou une fuite d'air. Une soupape de sûreté est incluse pour diminuer les risques d'endommagement du compresseur; la soupape se referme une fois la contre-pression diminuée.*

# ENTRETIEN

## AVERTISSEMENT

Risques de décharge électrique. **NE PAS** enlever le boîtier extérieur de l'appareil. Le démontage et l'entretien de cet appareil **DOIVENT** être effectués par un fournisseur Invacare qualifié.

---

## NETTOYER LE BOÎTIER EXTÉRIEUR

### AVERTISSEMENT

**DÉBRANCHER** l'unité avant le nettoyage. **NE PAS** immerger dans l'eau pour le nettoyage. Nettoyer le boîtier extérieur avec un chiffon humide.

---

## NETTOYER LE NÉBULISEUR

*NOTE: Avec un entretien adéquat, votre nébuliseur devrait durer 30 jours. Puisque le nébuliseur est jetable, il est recommandé de toujours en avoir un en réserve.*

*NOTE: Nettoyer le nébuliseur après chaque utilisation et au moins une fois par jour.*

*NOTE: Votre médecin et/ou fournisseur Invacare peuvent spécifier certaines procédures de nettoyage. Le cas échéant, suivre leurs recommandations. Sinon, nettoyer selon les instructions suivantes:*

1. Retirer le nébuliseur et la pièce buccale du tube.
  2. Démontez le nébuliseur en tournant dans le sens contraire des aiguilles d'une montre et séparer.
  3. **Remplir deux (2) bacs ou contenants plastiques:**
    - A. **Lavage:** solution eau chaude/savon.
    - B. **Trempage:** solution eau chaude/vinaigre (une [1] partie vinaigre pour trois [3] parties d'eau).
  4. Nettoyer à fond le nébuliseur et la pièce buccale dans la solution eau chaude/savon.
  5. Retirer de la solution eau/savon et rincer sous le robinet à l'eau chaude.
  6. Tremper dans la solution eau chaude/vinaigre pendant 30 minutes.
  7. Rincer de nouveau sous le robinet à l'eau chaude et assécher complètement.
-

*NOTE: Si vous utilisez des désinfectants médicaux, suivre attentivement les instructions du fabricant.*

8. Garder l'extérieur du tube propre en l'essuyant régulièrement.

*NOTE: L'intérieur du tube d'air du nébuliseur ne nécessite pas de nettoyage puisque seul de l'air filtré passe dans ce tube.*

### **NETTOYER OU REMPLACER LE FILTRE D'ENTRÉE EN MOUSSE**

*NOTE: Nettoyer le filtre une fois par mois ou plus souvent si le filtre se décolore.*

1. Débrancher l'appareil.
2. Enlever le couvercle du filtre pour accéder au filtre.
3. Retirer le filtre et le nettoyer à l'eau savonneuse. Laisser sécher complètement avant usage.
4. Remplacer le filtre s'il semble bouché, déchiré ou usé.

*NOTE: Un nettoyage/remplacement régulier du filtre est nécessaire pour assurer un fonctionnement adéquat du compresseur.*

### **AVERTISSEMENT**

**NE PAS faire fonctionner l'appareil sans filtre.**

## **ACCESSOIRES**

*NOTE: Le nébuliseur et les accessoires ne sont pas fabriqués par Invacare. Invacare a conservé l'emballage et les étiquettes d'origine du fabricant.*

Couvercle du filtre/Filtre d'entrée

Manuel de l'utilisateur

MS2100 Nébuliseur jetable (capacité 5 ml), avec pièce buccale, pièce en T et tube de 7 pi.

MS2200 Nébuliseur jetable Sidestream<sup>MD</sup> (capacité 10 ml), avec pièce buccale et tube de 7 pi.

MS2400 Nébuliseur jetable Sidestream<sup>MD</sup> (capacité 10 ml), avec pièce buccale et tube de 7 pi. «Garantie limitée d'un (1) an».

IRC1198 Débitmètre PFM TruZone<sup>MD</sup>

*NOTE: Voir le fournisseur Invacare pour d'autres nébuliseurs.*

### **GARANTIE LIMITÉE**

**VEUILLEZ NOTER: LA GARANTIE TELLE QUE DÉCRITE CIAPRÈS EST EN ACCORD AVEC LES LOIS FÉDÉRALES APPLICABLES AUX PRODUITS MANUFACTURÉS APRÈS LE 4 JUILLET 1975.**

La présente garantie ne s'étend qu'à l'acheteur initial du produit.

Cette garantie vous accorde des droits légaux spécifiques qui peuvent varier d'un État à l'autre.

**INVACARE** garantit le compresseur du compresseur aérosol Invacare contre tout défaut de fabrication ou défaut dans le matériel pour une période de trois (3) ans à partir de la date d'achat. La chambre du nébuliseur, le tube à air et tous les autres accessoires sont exclus de cette garantie. Si, durant cette période, ce produit devait être reconnu par Invacare comme défectueux, il sera réparé ou remplacé, suivant le choix d'**INVACARE**. Cette garantie ne couvre pas l'usure normale, ou les frais de livraison encourus par l'installation de pièces de rechange ou la réparation dudit produit. La seule et unique obligation d'**INVACARE** suivant cette garantie se limite au remplacement ou à la réparation.

Pour tout service de garantie, prières de contacter le département de service de Invacare Corporation pendant les heures normales de travail au numéro sans frais indiqué ici-bas.

Sur réception de l'avis de défectuosité du produit, Invacare émettra un numéro d'autorisation de retour. Il sera de la responsabilité de l'acheteur d'acheminer, à ses frais, le produit à l'usine de Invacare Corporation ou au centre de service tel que spécifié au préalable par Invacare Corporation. Les composants défectueux doivent être retournés pour inspection en spécifiant le numéro de série pour identification dans les trente (30) jours de la date de l'autorisation de retour. **NE PAS** acheminer les produits à notre usine sans consentement préalable. Les envois **COD** «port dû» seront refusés, veuillez s'il vous plaît payer vos frais de transport.

**LIMITES ET EXCLUSIONS: LA PRÉSENTE GARANTIE NE S'APPLIQUE PAS AUX PRODUITS ENDOMMAGÉS SUITE À LA NÉGLIGENCE, ACCIDENT, MAUVAIS USAGE, ENTRETIEN OU REMISAGE, USAGE COMMERCIAL OU INSTITUTIONNEL, PRODUIT MODIFIÉ SANS LE CONSENTEMENT ÉCRIT (INCLUANT MAIS NON LIMITÉ À UNE MODIFICATION PAR USAGE DE PIÈCES OU ACCESSOIRES NON AUTORISÉS) DE INVACARE, OU AUX PRODUITS ENDOMMAGÉS SUITE À DES RÉPARATIONS FAITES AUX COMPOSANTS SANS LE CONSENTEMENT PRÉALABLE SPÉCIFIQUE DE INVACARE, OU AUX PRODUITS ENDOMMAGÉS DANS DES CIRCONSTANCES HORS DU CONTRÔLE DE INVACARE CORPORATION.**

**LA GARANTIE QUI PRÉCÈDE EST EXCLUSIVE ET TIENT LIEU DE TOUTE AUTRE GARANTIE EXPLICITE. LA GARANTIE IMPLICITE, LE CAS ÉCHÉANT, Y COMPRIS MAIS SANS S'Y LIMITER, LA GARANTIE D'APTITUDE À LA VENTE ET DE CONVENANCE À UNE FIN PARTICULIÈRE, NE S'ÉTEND PAS OUTRE LA DURÉE DE LA GARANTIE EXPLICITE DES PRÉSENTES, ET LE RECOURS POUR VIOLATIONS DE TOUTE GARANTIE IMPLICITE SERA LIMITÉ À LA RÉPARATION OU AU REMPLACEMENT DU PRODUIT DÉFECTUEUX SELON LES TERMES CONTENUS DANS LA PRÉSENTE. INVACARE CORPORATION N'ASSUME AUCUNE RESPONSABILITÉ RELATIVE À TOUT DOMMAGE INDIRECT OU ACCIDENTEL.**

**CERTAINS ÉTATS N'ADMETTENT PAS L'EXCLUSION OU LA LIMITATION DE DOMMAGES INDIRECTS OU ACCIDENTELS OU LA LIMITATION SUR LA DURÉE D'UNE GARANTIE IMPLICITE, PAR CONSÉQUENT L'EXCLUSION CI-HAUT PEUT NE PAS S'APPLIQUER À VOUS.**

**CETTE GARANTIE SERA ÉTENDUE CONFORMÉMENT AUX LOIS OU EXIGENCES DE L'ÉTAT OU DE LA PROVINCE.**

# **Manual De Instrucciones**

## **NOTAS ESPECIALES**

**LAS NOTAS DE ADVERTENCIA USADAS EN ESTE MANUAL SIRVEN PARA ALERTAR AL USUARIO ACERCA DE RIESGOS Y PELIGROS EN QUE SE PUEDE INCURRIR AL DARLE USO INAPROPIADO A ESTE APARATO.**

### **NOTA**

**LA INFORMACION CONTENIDA EN ESTE DOCUMENTO QUEDA SUJETA A CAMBIOS SIN PREVIO AVISO.**

**EL COMPRESOR PARA AEROSOL DESCRITO EN ESTE DOCUMENTO HA SIDO DISEÑADO PARA USO DOMESTICO.**

### **ADVERTANCIA**

**NO INSTALE, OPERE O DE MANTENIMIENTO A ESTE APARATO SIN ANTES LEER Y ENTENDER LAS INSTRUCCIONES DE ESTE MANUAL. SI TIENE DIFICULTAD EN COMPRENDER LAS ADVERTENCIAS, PRECAUCIONES E INSTRUCCIONES, LLAME A SU PROVEEDOR DE ESTE EQUIPO ANTES DE INTENTAR USARLO, PARA EVITAR DAÑO PERSONAL O AL APARATO.**

---

**GUARDE ESTAS INSTRUCCIONES  
PARA REFERENCIA FUTURA.**

# **CONTENIDO**

<b>NOTAS ESPECIALES .....</b>	<b>30</b>
<b>SALVAGUARDAS DE IMPORTANCIA .....</b>	<b>32</b>
<b>ESPECIFICACIONES E INFORMACIÓN SUPLEMENTARIA .....</b>	<b>34</b>
<b>CARACTERÍSTICAS .....</b>	<b>36</b>
<b>MANEJO DEL PRODUCTO .....</b>	<b>37</b>
INSTRUCCIONES DE ENVÍO Y TRANSPORTACIÓN .....	37
DESEMPACANDO .....	37
INSPECCIÓN .....	37
ALMACENAMIENTO .....	37
<b>OPERACIÓN .....</b>	<b>37</b>
<b>MANTENIMIENTO .....</b>	<b>40</b>
LIMPIANDO LA UNIDAD POR FUERA .....	40
LIMPIANDO EL VAPORIZADOR .....	40
LIMPIANDO O REEMPLAZANDO EL FILTRO DE ENTRADA .....	41
<b>ACCESORIOS .....</b>	<b>41</b>
<b>GARANTÍA .....</b>	<b>42</b>

# **SALVAGUARDAS DE IMPORTANCIA**

## **ANTES LEA TODAS LAS INSTRUCCIONES**

**Precaución:** La ley federal de los Estados Unidos restringe este producto a la venta por o bajo la orden de un médico o un practicante de medicina con licencia otorgada por la ley del Estado en el cual practica el uso u ordena el uso de este aparato.

Al usar productos eléctricos, especialmente cuando hay niños presentes, deben tomarse medidas de precaución, incluyendo las siguientes:

## **COMO REDUCIR EL RIESGO DE ELECTROCUCION**

**DESCONECTE ESTE APARATO INMEDIATAMENTE AL TERMINAR DE USARLO.**

**NO LO** use mientras se baña.

**NO LO** ponga o guarde en un lugar donde pueda caerse en una bañera o fregadero.

**NO TRATE** de sacarlo si ha caído dentro de agua y está conectado a energía eléctrica. Primero desconéctelo.

**NO LO** coloque donde pueda caer en agua u otro líquido.

## **ADVERTANCIA**

**COMO REDUCIR EL RIESGO DE QUEMADURAS, ELECTROCUCION, INCENDIO O HERIDA PERSONAL.**

**NUNCA** desatienda este producto mientras está conectado a electricidad.

Estricta supervisión debe ejercerse cuando este producto sea usado con o cerca de **NIÑOS O PERSONAS CON LIMITACIONES FÍSICAS.**

Este producto debe ser usado solamente de la manera que se indica en este manual y únicamente bajo la dirección de un médico. Se sugiere **NO USAR** accesorios no recomendados por el fabricante.



### **ADVERTENCIA**

Este aparato no debe usarse si el cordón o el enchufe están dañados; si no funciona apropiadamente; si se le ha dejado caer y sufrió algún daño o ha caído en agua. Llame al centro de servicio autorizado para que lo inspeccionen y, si es necesario, sea reparado.

Mantenga el cordón eléctrico lejos de superficies y objetos calientes.

**NUNCA** inserte ningún objeto dentro de las aberturas.

**NUNCA** use este aparato mientras duerme o si está con sueño.

**NUNCA** obstruya las aberturas de este aparato ni lo ponga sobre superficies suaves o flexibles, tales como una cama o un sofá. Mantenga los pasajes de aire libres de hilos, cabello u objetos similares. El obstruir estos pasajes de ventilación causa recalentamiento de la unidad y el ésta deje de funcionar.

**NO LO** use fuera de la casa al aire libre o donde se esté usando productos de rociador o spray, o donde se esté administrando oxígeno en un ambiente cerrado, tales como un pabellón o toldo para uso de oxígeno.

Esta unidad no usa aceite. **NO LA** lubrique.

### **PRECAUCION**

No desarme este aparato porque corre el riesgo de un choque eléctrico. Para servicio y reparaciones póngase en contacto con el centro de servicio autorizado mas cercano.

---

# ESPECIFICACIONES E INFORMACION SUPLEMENTARIA

<b>Especificaciones Eléctricas:</b>	115 vac, 60 hz., una fase
<b>Corriente:</b>	1.8 Amperios a 10 PSIG @ 115 voltios
<b>Nivel de Ruido:</b>	55 dBA
<b>Temperatura Ambiente:</b>	50°F - 104°F (10°C - 40°C)
<b>Fuerza en Vatios:</b>	80 vatios @ 10 psig
<b>Protección Térmica:</b>	UL 547 Clase B
<b>Filtro de Entrada:</b>	Esponja de polyurethane 100 ppi.
<b>Systema de Seguridad:</b>	Interrupción automática del compresor cuando se recalienta.
<b>Ancho:</b>	4.1 pulgadas
<b>Altura:</b>	7.0 pulgadas
<b>Profundidad:</b>	7.0 pulgadas
<b>Peso:</b>	3.5 Lbs.
<b>Peso de Envío:</b>	4.5 Lbs.
<b>Matrículas de Registro:</b>	UL 1431 que establece regulaciones sobre higiene personal y el uso de aparatos para el cuidado de la salud; CSA 22.2 para equipos electro domésticos. No. 68-92 Aparatos Operados a Motor.

## ELECTRICO

Este aparato tiene un enchufe polarizado. (Una punta es más ancha que la otra). Como un rasgo de seguridad, este enchufe podrá conectarse solamente en un tomacorriente polarizado de un solo modo. Si el enchufe no entra completamente en el tomacorriente, inviértalo. Si aún así no entra, póngase en contacto con un electricista competente. No intente forzar este sistema de seguridad.

### **Compresor:**

Si la unidad se interrumpe frecuentemente, es posible que sea debido a una situación de bajo voltaje. También debe sospecharse una causa de bajo voltaje cuando:

1. El motor no desarrolla velocidad o potencia completa.
2. Fusibles o interruptores automáticos son activados al iniciar el compresor.
3. Las luces pierden su intensidad y permanecen así cuando se inicia el compresor.
4. Otros utensilios operados a motor eléctrico no funcionan apropiadamente y hay varios de ellos siendo operados al mismo tiempo, conectados a la misma línea de corriente o circuito eléctrico.

El motor de este compresor tiene un dispositivo de protección térmica. Si el motor se recalienta, el dispositivo protector hará que éste pare inmediatamente. Si esto ocurre y el motor no puede ser reiniciado, se le debe reemplazar. Llame a su centro de servicio autorizado tan pronto como sea posible.

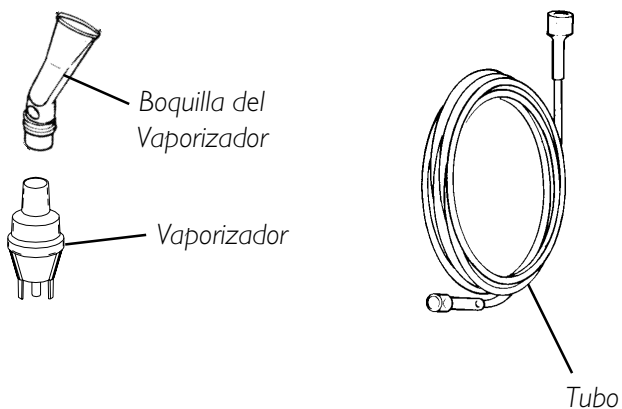
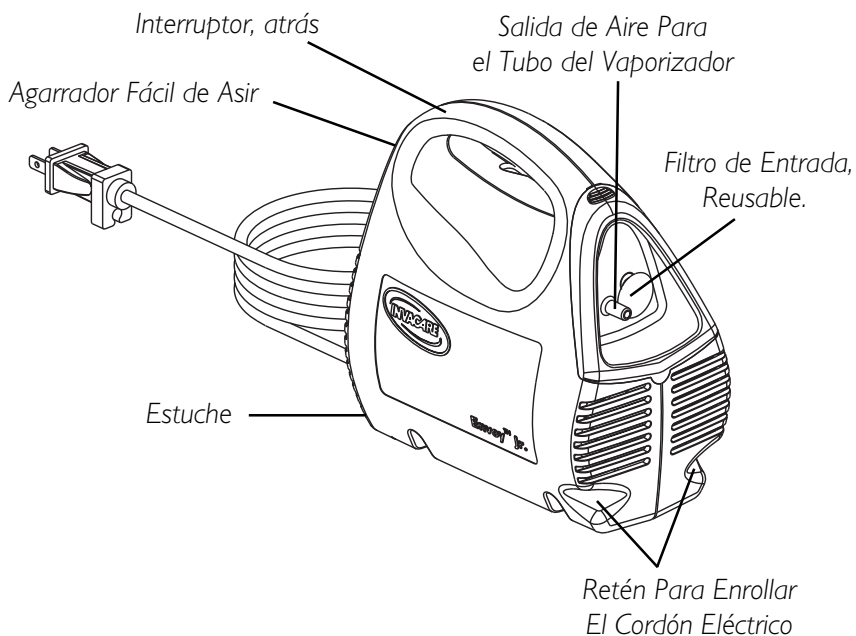
### **Extensiones eléctricas:**

Si usa una extensión, asegúrese de que ésta está en buena condición. En una extensión de 25 pies de largo, el alambre debe ser número 18, para 50 pies número 16 y para 100 pies, número 14.

### **MANTENIMIENTO:**

Solamente personal autorizado o entrenado por la fábrica debe realizar el servicio de prevención y mantenimiento.

# **CARACTERISTICAS**



**FIGURA I - CARACTERISTICAS**

# MANEJO DEL PRODUCTO

## INSTRUCCIONES DE ENVIO Y TRANSPORTACION

La caja y el material de empaque han sido diseñados para asegurar la protección del aparato.

Este aparato puede ser enviado por medios de transportación común usando el mismo material de empaque y caja originales. Invacare tiene disponible un surtido extra de estos.

## DESEMPACANDO

1. Inspeccione por cualquier daño obvio del cartón o su contenido. Si algún daño es evidente, no lo use. Notifique inmediatamente al agente de entrega, a Invacare o a su proveedor local del producto.
2. Si no hay ningún daño visible, remueva de la caja todo el material de empaque.
3. Cuidadosamente remueva el aparato.

*NOTA: Guarde la caja y materiales de empaque para futuro envío o almacenamiento de la unidad.*

## INSPECCION

1. Examine el exterior por cortaduras, hendiduras, rayones o cualquier otro daño. Inspeccione todas las piezas sueltas.

## ALMACENAMIENTO

1. Almacene el aparato propiamente empacado en un lugar seco.
2. No coloque otros objetos encima de éste.

# OPERACIÓN

Con el vaporizador se incluyen una boquilla y un tubo para el aire. Estos tres están disponibles a la venta en forma adicional como un solo paquete, para cuando necesite reemplazo.

*NOTA: Antes de usarlo, el vaporizador debe ser lavado. Siga las instrucciones recomendadas en la sección de limpieza en este manual.*

## OPERACIÓN

---

### ADVERTANCIA

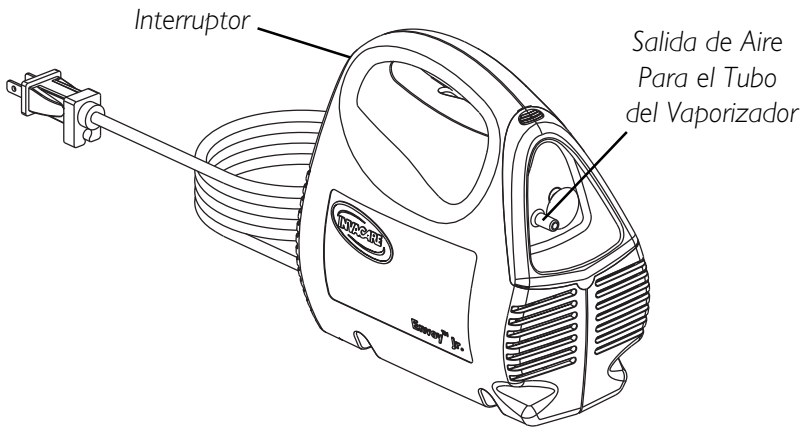
**NO USE** esta unidad sin el filtro.

Evite el uso de este producto en un ambiente saturado de polvo, lo cual puede causar desgaste prematuro al compresor.

---

### PREPARACION:

1. Ponga el aparato sobre un mesa de modo que pueda alcanzar los controles fácilmente al sentarse.
2. Conecte y asegure bien una punta del tubo en la salida de aire del aparato (**FIGURA 1**).
3. Conecte la otra punta del tubo al vaporizador.



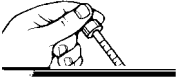
**FIGURA 1 - UBICACIÓN DE LA SALIDA DE AIRE**

### ADVERTANCIA

En caso de un alto porcentaje de humedad en el ambiente, hay la posibilidad de que se forme condensación dentro del tubo para el aire. Con el tubo conectado a la unidad (sin el vaporizador), haga trabajar el compresor por dos (2) minutos. luego conecte el vaporizador.

---

4. Agregue la medicina líquida al vaporizador de acuerdo a la receta médica (**FIGURA 2**).



**FIGURA 2 - AGREGANDO  
LA MEDICINA AL  
VAPORIZADOR**



**FIGURA 3 - USANDO EL  
VAPORIZADOR**

### **ADVERTENCIA**

**Antes de conectar el cordón eléctrico, asegúrese de que el interruptor en el aparato está en La posición “off” (O).**

5. Desenrolle el cordón eléctrico.
6. Conéctelo a la corriente eléctrica de 115v/60 hz.
7. Inserte la boquilla en el extremo superior del vaporizador.

*NOTA: Antes de poner en marcha la unidad, si ésta está a una temperatura más fría que la temperatura ambiente de la habitación, permítale algún tiempo hasta que alcance el nivel de la temperatura de la habitación.*

8. Accione el interruptor a la posición “on” (I), para iniciar el compresor.
9. Coloque la boquilla, ya conectada al vaporizador, entre sus dientes y cierre la boca (**FIGURA 3**).
10. Conforme el aerosol empieza a fluir, inhale profundamente, despacio, y luego detenga la respiración por 10 segundos. Después exhale lentamente a través de la boquilla del vaporizador.

*NOTA: Antes de guardar los accesorios después del tratamiento, limpie y seque el vaporizador. Cierre herméticamente los frascos de la medicina. (Refierase a la sección de mantenimiento en este manual).*

*NOTA: En caso de que un aumento substancial de la presión ocurra debido a que un tubo esté doblado y el paso del aire esté bloqueado, un sonido “pop” o una fuga de aire se escuchará. Una válvula de seguridad se ha incluido por si ocurre tal situación, para reducir posible daño al compresor. La válvula se cerrará por sí sola cuando el aumento de la presión haya disminuído.*

# MANTENIMIENTO

### ADVERTENCIA

**Peligro de choque eléctrico. No desensamble esta unidad. Todo mantenimiento necesario debe ser realizado por técnicos autorizados por Invacare.**

### LIMPIANDO LA UNIDAD POR FUERA

#### ADVERTENCIA

**Desconecte la unidad antes de limpiarla. No la sumerja en agua. Para limpiarla por fuera use un pedazo de tela húmeda.**

### LIMPIANDO EL VAPORIZADOR

*NOTA: Con el cuidado y mantenimiento apropiados, su vaporizador debe durar 30 días de uso. Puesto que el vaporizador es descartable, se recomienda tener uno extra todo el tiempo.*

*NOTA: Limpie el vaporizador después de cada uso o cuando menos una vez al día.*

*NOTA: Su médico y/o su proveedor del equipo pudieran especificar ciertos procedimientos de limpieza. Si ese es el caso, siga sus recomendaciones. Si no es así, hágalo conforme a las siguientes instrucciones:*

1. Remueva del tubo el vaporizador y la boquilla.
2. Desensamble la cámara del vaporizador desenroscando hacia la izquierda y separe las piezas.
3. **Llene dos (2) recipientes plásticos o palanganas, como sigue:**
  - A. **Para lavar:** Recipiente con agua caliente y detergente de lavar platos.
  - B. **Para remojar:** Recipiente con tres (3) partes de agua caliente y una (1) de vinagre.
4. Limpie completamente el vaporizador y la boquilla con el agua y detergente.
5. Remuevalos del agua y detergente y enjuáguelos con agua limpia.
6. Remójelos en el agua con vinagre por 30 minutos.
7. Enjuáguelos con agua limpia de nuevo y séquelos completamente al aire.



## MANTENIMIENTO/ACCESORIOS

*NOTA: Si usa desinfectantes médicos, siga cuidadosamente las instrucciones del fabricante.*

8. Mantenga la superficie de afuera del tubo para el aire libre de polvo, limpiándolo regularmente.

*NOTA: El tubo para el aire que se usa con el vaporizador no debe limpiarse por dentro porque solamente aire filtrado corre por el mismo.*

### **LIMPIANDO O REEMPLAZANDO EL FILTRO DE ENTRADA**

*NOTA: Limpie el filtro una vez al mes o antes si pierde su color.*

1. Desenchufe la unidad.
2. Abra la tapa del compartimiento para obtener acceso al filtro.
3. Remueva la cobertura del filtro, para obtener acceso al mismo.
4. Si el filtro está obstruido o tapado por polvo u otras sustancias, o si se rompe o se nota que está muy gastado, reemplácelo.

*NOTA: Limpieza regular o reemplazo del filtro son necesarios para asegurar el funcionamiento apropiado del compresor.*

### **ADVERTENCIA**

**No use la unidad sin el filtro.**

## **ACCESORIOS**

Filtro

Covertura del filtro

Manual de instrucciones

Vaporizador Descartable MS2100 (capacidad de 5 ml), con boquilla, pieza en forma de T y tubo de 7 pies de largo.

Vaporizador Descartable Sidestream® MS2200 (capacidad de 10 ml) con boquilla y tubo de 7 pies de largo.

Vaporizador Durable Sidestream® MS2400 (capacidad de 10 ml) con boquilla y tubo de 7 pies de largo.

IRC I 198 Truzone® PFM Peak Flow Meter.

*NOTA: Póngase en contacto con su proveedor de los productos Invacare cuando necesite vaporizadores adicionales.*

## GARANTIA

**NOTA: ESTA GARANTÍA HA SIDO ESCRITA PARA CUMPLIR CON LA LEY FEDERAL DE LOS ESTADOS UNIDOS APLICABLE A PRODUCTOS DESPUÉS DEL 4 DE JULIO DE 1975.**

Esta garantía se extiende únicamente al comprador original de nuestros productos.

Esta garantía le da derechos legales específicos y usted pudiera tener otros derechos legales los cuales varían de estado a estado.

Invacare garantiza por 3 años, desde la fecha de compra, que los materiales y la mano de obra utilizados en el compresor para aeroso, están libres de defectos.

La cámara del vaporizador, el tubo para el aire del vaporizador y cualquier otro accesorio quedan excluidos de esta garantía. Si dentro del periodo de la garantía el producto cubierto por la misma fuera encontrado con algún defecto, el cual tiene que ser comprobado por Invacare, tal producto debe ser reparado o reemplazado a opción de Invacare. Esta garantía no cubre el deterioro causado por desgaste normal debido a uso. Tampoco cubre gastos incurridos por envío y transportación del producto o partes de/o para el mismo debido a un reclamo por garantía. La única obligación de Invacare y el único remedio al dueño del producto bajo esta garantía queda limitada a reparación o reemplazo.

Cuando necesite un servicio cubierto por la garantía, por favor póngase en contacto con el Departamento de Servicio llamando al número de teléfono anotado abajo, a horas regulares de trabajo.

Al recibir información acerca de posible defecto en un producto, Invacare le proveerá un número de registro con el cual autorizará el retorno del mismo. De allí en adelante es responsabilidad del comprador enviarlo a nuestra planta o a un Centro de Servicio especificado por Invacare previamente, a costo propio. Una pieza defectuosa, bajo garantía, debe ser retornada para inspección usando el número de serie que identifica el producto, dentro de treinta (30) días después de la fecha en que se expidió el número de registro. Por favor no envíe a la fábrica productos sin previo consentimiento. Entregas C.O.D. serán rehusadas. Sírvase pagar los cargos de envío.

**Limitaciones y Exclusiones:** La garantía que precede no aplica a productos que han sido sujetos a negligencia, accidente, uso impropio, mantenimiento inapropiado, largo periodo de almacenamiento, uso comercial o institucional, productos modificados sin el consentimiento expreso de Invacare por escrito (incluyendo, pero no limitado a, modificación por medio del uso no autorizado de partes o accesorios) o productos dañados debido a reparaciones hechas con piezas no autorizadas ni especificadas por Invacare, o productos dañados por circunstancias totalmente fuera del control de Invacare.

La garantía que precede es exclusiva y toma el lugar de cualquier otra garantía expresa. Garantías implícitas, si acaso, incluyendo garantías implícitas marcantiles o adaptadas para un propósito en particular, no deben extender la duración de la garantía expresada aquí, y nuestra obligación por violaciones a cualquier garantía implícita debe ser limitada a la reparación o reemplazo del producto defectuoso conforme a los términos aquí establecidos. Invacare no es responsable por cualquier daño consecuente o accidental en absoluto.

**EN ALGUNOS ESTADOS NO SE PERMITE LA EXCLUSIÓN O LIMITACIÓN A DAÑO CONSECUENTE O POR ACCIDENTE EN CUANTO A QUÉ TIEMPO LA GARANTÍA IMPLÍCITA DURA. POR CONSIGUIENTE DICHA EXCLUSIÓN Y LIMITACIÓN PODRÍA NO APLICARLE A USTED.**

**ESTA GARANTIA DEBE SER EXTENDIDA PARA CUMPLIR CON LAS LEYES Y REQUERIMIENTOS DE ESTADO O PROVINCIA.**



**Yes, you can:**

**Invacare Corporation**

[www.invacare.com](http://www.invacare.com)

---

**USA**

One Invacare Way  
Elyria, Ohio USA  
44036-2125  
800-333-6900

699 Aero Lane  
Sanford, Florida  
32771  
800-333-6900  
Technical Support-  
Toll Free 800-832-4707

**Canada**

570 Matheson Blvd E Unit 8  
Mississauga Ontario  
L4Z 4G4 Canada  
800-668-5324

Invacare is a registered trademark of  
Invacare Corporation.  
Yes, you can. and Envoy are trademarks  
of Invacare Corporation.  
Sidestream is a registered trademark  
of Medic-Aid Ltd.  
TruZone is a registered trademark  
of Monaghan Medical Corporation  
© 2002 Invacare Corporation  
Part No. 1089736 Rev F 06/02